

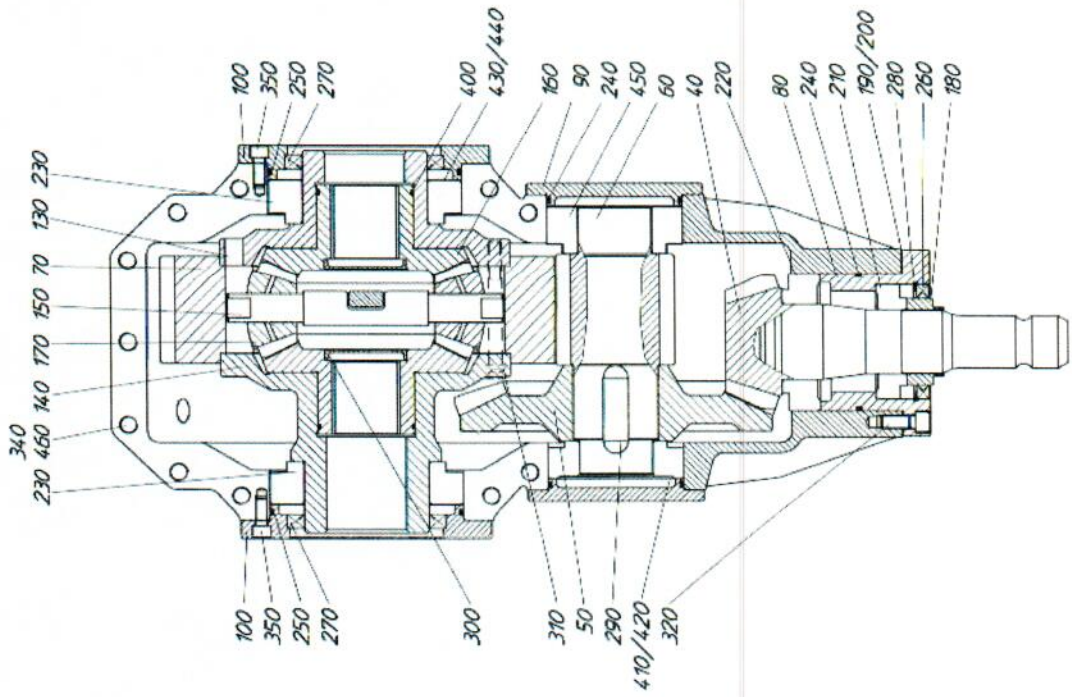
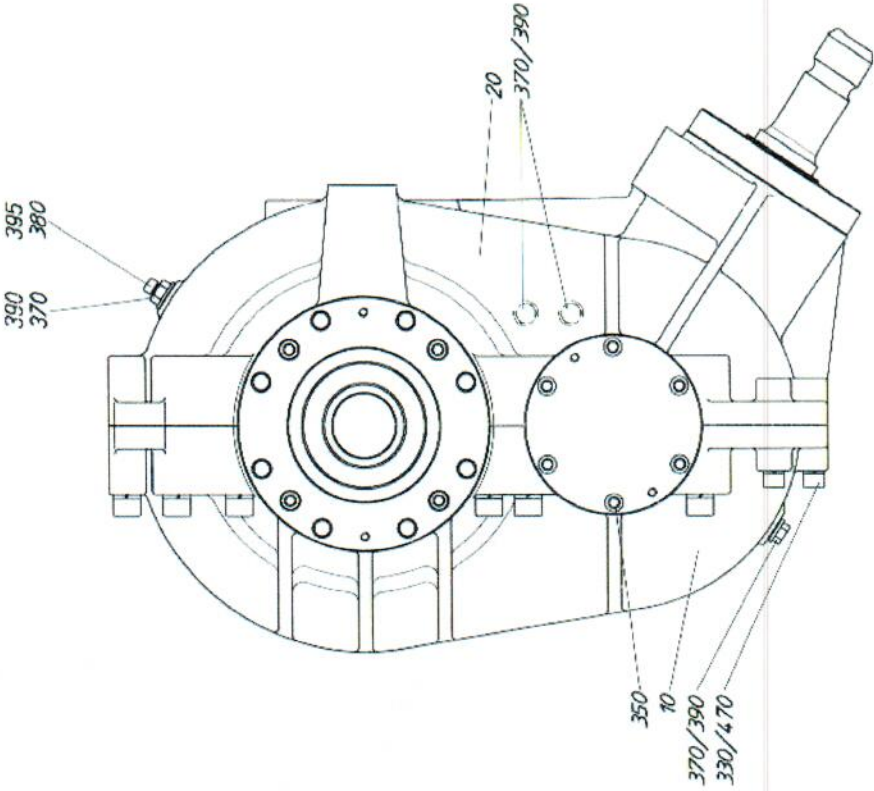
Links

Rechts

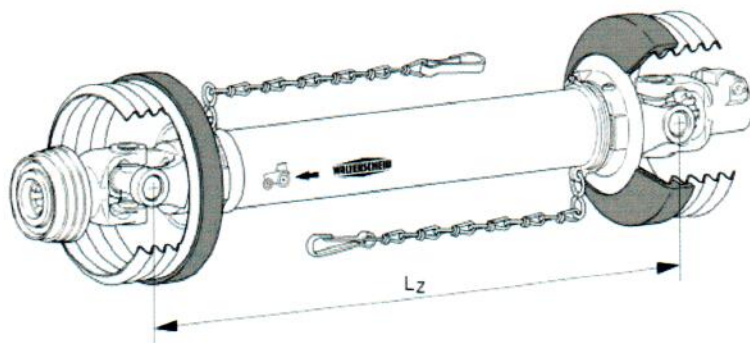
KRG Ersatzteile

| <i>Nummer</i> | <i>Teile</i> | <i>Naam</i> | <i>Name</i> | <i>Name</i> | <i>Type</i> |
|----------------|--------------|-----------------|-----------------|----------------------|------------------|
| 01 | F010105 | aandrijfbak | power | differentialgetriebe | |
| 02 a (KRG 250) | F010296 | steekas | axle | welle | links |
| 02 b (KRG 250) | F010297 | steekas | axle | welle | rechts |
| 02 c (KRG 280) | F010294 | steekas | axle | welle | links |
| 02 d (KRG 280) | F010295 | steekas | axle | welle | rechts |
| 04 | F010309 | rollenlager | roller bearing | rollenlager | |
| 05 | F061008 | seegerring | circlip | ring | |
| 06 | F010408 | rollenlager | roller bearing | rollenlager | |
| 07 | F040147 | lagerhuis | bearing housing | lagergehäuse | |
| 08 | F060312 | borgplaat | locking plate | arretierplatte | |
| 09 | F060145 | bout | bolt | bolzen | M16x45 verz. kop |
| 10 | F060126 | bout | bolt | bolzen | M12x40 |
| 11 | F010426 | lagerhuis | bearing housing | lagergehäuse | |
| 12 | F061108 | stalen loopring | steel ring | ring | |
| 13 | F500209 | oliekeering | oil catcher | dichtring | |
| 14 | F010308 | rollen lager | roller bearing | rollenlager | |
| 15 | F061007 | seegerring | circlip | ring | |
| 16 | F060313 | borgplaat | locking plate | arretierplatte | |
| 17 | F060188 | bout | bolt | bolzen | M20x60 verz. kop |
| 18 | F010584 | kettingwiel | chain wheel | kettenrad | 1,5" Z=13 |
| 19 | F010585 | kettingwiel | chain wheel | kettenrad | 1,5" Z=45 |
| 20 | F010665 | ketting | chain | kette | 1,5" 96 rol |
| 21 | F010711 | kettingspanner | chain tightner | kettenspanner | |
| 22 | F060160 | veer | spring | feder | |
| 23 | F500314 | pakking | packing | dichtung | 430 cm |
| 24 a | F040111 | kettingkast | chain casing | kettenkasten | links |
| 24 b | F040112 | kettingkast | chain casing | kettenkasten | rechts |
| 25 | F015002 | ontluchting | air valve | entlüftung | 5/4" |
| 26 | F015003 | aflaatstop | stop | | 3/4" |
| <i>stopfen</i> | | | | | |
| 27 a | F050114 | glijslof | skid shoe | gleitscuh | links |
| 27 b | F050115 | glijslof | skid shoe | gleitscuh | rechts |
| 28 | F020109 a | spitmes compl. | scraper compl. | spaten komplet | |
| 29 | F020109 b | spitbeugel | scraper support | spaten stutze | |
| 30 | F020113 | slijtplaat | scraper | spaten | 30cm 20mm dik |
| 31 a | F060179 | ploegbout | plowbolt | pflugbolzen | M12x35 |
| 31 b | F060220 | moer | nut | mutter | M12 |
| 32 a | F060183 | bout | bolt | bolzen | M20x1,5x80 10,9 |
| 32 b | F060804 | veerring | ring | federring | M20 |
| 32 c | F060303 | moer | nut | mutter | M20x1,5 |
| 33 | F020203 | woelkouter | coulter | messer-sechen | |
| 34 | F060143 | bout | bolt | bolzen | M16x35 |
| 35 | F050107 | steunpoot | support leg | stütze | |
| 36 | F070102 | cilinder | cylinder | zylinder | |
| 37 | F070103 | cilinder | cylinder | zylinder | |
| 38 | F010407 | lager&huis | bearing&housing | lager&gehäuse | |
| 39 | F080100 | beschermkap | protective cap | schutzkappe | |

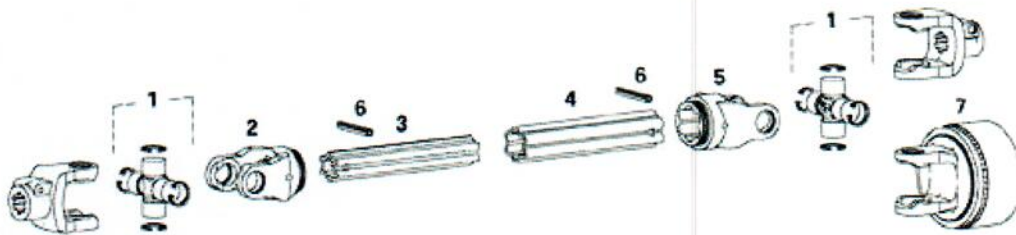
Getriebe



| Pos nr. | Bestel nr. | Str-mg | Artikelbezeichnung | Type |
|---------|------------|--------|--------------------|-------------------------------|
| 10 | 4201377 | 1,000 | Gehaeuse kpl. | 5586-1+2 |
| 40 | 4400907 | 1,000 | Kegelritzelwelle | 8880-4A |
| 50 | 4400812 | 1,000 | Kegelrad | 8880-5 |
| 60 | 4501475 | 1,000 | Sternritzelwelle | 8880-6 |
| 70 | 4501476 | 1,000 | Stirnrad | 8880-7 |
| 80 | 4300531 | 1,000 | Flansch | 8880-8 |
| 90 | 4300532 | 2,000 | Flansch | 8880-9 |
| 100 | 4300617 | 2,000 | Flansch | 5586-10 |
| 130 | 4201256 | 1,000 | Diff.- Gehaeuse | 8880-13 |
| 140 | 4201257 | 1,000 | Diff.- Gehaeuse | 8880-14 |
| 150 | 4900891 | 2,000 | Achse | 8880-15 |
| 160 | 4400813 | 2,000 | Kegelrad | 8880-16 |
| 170 | 4400814 | 4,000 | Kegelrad | 8880-17 |
| 180 | 4900892 | 1,000 | Wellenmutter | 8880-18 |
| 190 | 6073792 | 2,000 | Passscheibe | 8880-19 |
| 200 | 6073793 | 2,000 | Passscheibe | 8880-20 |
| 210 | 6010589 | 1,000 | Kegelrollenlager | DIN 720-32211 |
| 220 | 6010600 | 2,000 | Kegelrollenlager | DIN 720-32213 |
| 230 | 6011867 | 2,000 | Kegelrollenlager | DIN 720-32022 |
| 240 | 6021338 | 3,000 | O-Ring | 110 x 4 |
| 250 | 6021461 | 2,000 | O-Ring | 160 x 4 |
| 260 | 6020257 | 1,000 | Wellendichtring | AS75 x 100 x 10 DIN 3760-BASL |
| 270 | 6021854 | 2,000 | Wellendichtring | A110 x 140 x 12 DIN 3760-BA |
| 280 | 6030391 | 1,000 | Sicherungsring | DIN 472-100 x 3 |
| 290 | 6032544 | 1,000 | Passfeder | B 22 x 14 x 56 DIN 6885 |
| 300 | 6020524 | 2,000 | Verschlusskappe | VK 72 x 9 |
| 310 | 6030971 | 12,000 | Zylinderschraube | DIN 912-M12 x 110 |
| 320 | 6030917 | 3,000 | Zylinderschraube | DIN 912-M12 x 30 |
| 330 | 6030957 | 4,000 | Zylinderschraube | DIN 912-M12 x 70 |
| 340 | 6031031 | 13,000 | Zylinderschraube | DIN 912-M16 x 100 |
| 350 | 6030805 | 20,000 | Zylinderschraube | DIN 912-M10 x 25 |
| 370 | 6030576 | 4,000 | Verschlusschraube | DIN 910-M18 x 1,5 |
| 380 | 6020629 | 1,000 | Entlueftungsventil | M 22 x 1,5 |
| 390 | 6020370 | 4,000 | Dichtring | DIN 7603-A 18 x 22 |
| 395 | 6020375 | 1,000 | Dichtring | DIN 7603-A 22 x 27 |
| 400 | 6020483 | 2,000 | O-Ring | 80 x 3 |
| 410 | 6011041 | 2,000 | Passscheibe | DIN 988-100 x 120 x 0,3 |
| 420 | 6011040 | 4,000 | Passscheibe | DIN 988-100 x 120 x 0,1 |
| 430 | 6177221 | 4,000 | Passscheibe | 8100-170152010 |
| 440 | 6177223 | 2,000 | Passscheibe | 8100-170152030 |
| 450 | 6011880 | 1,000 | Kegelrollenlager | DIN 720-33213 |
| 460 | 6032704 | 13,000 | Federring | DIN 7980-16 |
| 470 | 6032698 | 4,000 | Federring | DIN 7980-12 |

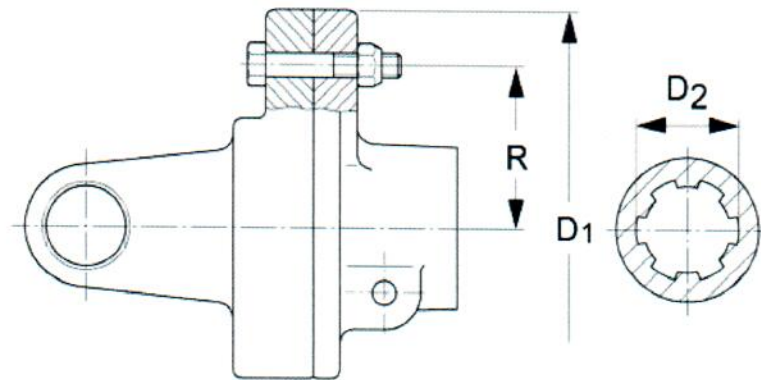


| type size Baugröße | profieltypen profile matings Profilpaarungen | bescherming guard Schutz | Lz=710 mm (ingeschoven) (compresed) (zusammengeschoben) |
|-----------------------|--|--------------------------------|---|
| W2300 | 0v/1 | SD15 | 378775 |
| W2400 | 1b/2a | SD25 | 369450 |
| W2500 | S4/S5 | SD25 | 375476 |
| W2600 | S5hS6 | SD35 | 170122 |



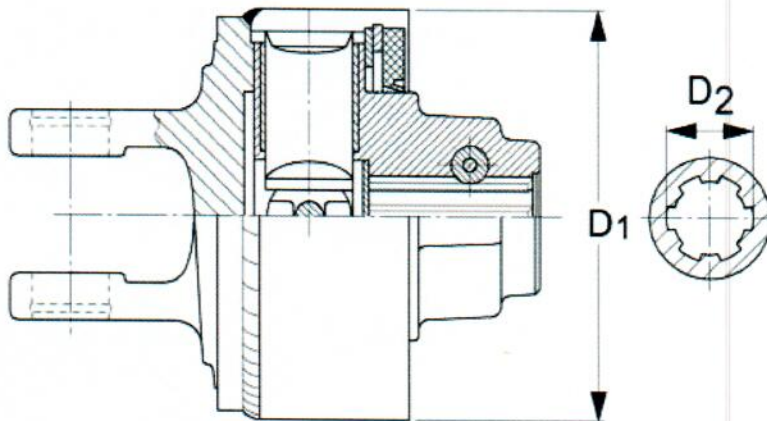
| type size Baugröße | 1 kruisstuk cross Kreuzgarnitur | 2 gaffel yoke Rillengabel | 3 binnen buis profile tube Profilrohr | 4 buiten buis profile tube Profilrohr | 5 gaffel yoke Rillengabel | 6 spanstift stright pin Spannstift | 7 koppeling clutch Kupplung |
|-----------------------|--|------------------------------------|--|--|------------------------------------|---|--------------------------------------|
| W2300 | 21.00.00 | 21.11.00 | 0v 75.11.16 | 75.15.16 1 | 21.12.00 | 61.05.04 | 59.110.11 |
| W2400 | 35.00.00 | 35.13.00 | 1b 75.25.15 | 75.35.15 2a | 35.14.00 | 61.05.08 | 59.135.12 |
| W2500 | 36.00.00 | 35.13.100 | S4 75.44.18 | 75.45.18 S5 | 36.14.100 | 61.05.12 | 59.139.12 |
| W2600 | 26.00.00 | 26.13.00 | S5H 75.45.139 | 75.46.10 S6 | 26.14.00 | 61.06.08 | 59.140.12 |

Koppelingen



K61/20 breekboutkoppeling, Shear bolt clutch, Scherzbolzen

| type size Baugröße | D Ø (mm) | onderdeel spare part Ersatzteil | moment torque Drehmoment | R (mm) | bout bolt Schraube |
|-----------------------|----------|---------------------------------------|--------------------------------|--------|--------------------------|
| W2300 | 140 | 57.102.18 | 160 daNm | 48 | M8 |
| W2400 | 156 | 57.157.18 | 186 daNm | 56 | M8 |
| W2500 | 156 | 57.124.18 | 213 daNm | 64 | M8 |



K64 nokkenkoppeling, cam-type cam-out clutch, Nockenschaltkupplung

| type size Baugröße | type type Type | D Ø (mm) | onderdeel spare part Ersatzteil | moment torque Drehmoment | |
|-----------------------|-------------------|----------|---------------------------------------|--------------------------------|-----------|
| W2300 | K64/1 R | 130 | 59.110.11 | 110 daNm | 1 3/8"(6) |
| W2400 | K64/2 R | 168 | 59.135.12 | 180 daNm | 1 3/8"(6) |
| W2500 | K64/2 R | 168 | 59.139.12 | 180 daNm | 1 3/4"(6) |
| W2600 | K64/2 R | 168 | 59.140.12 | 220 daNm | 1 3/4"(6) |